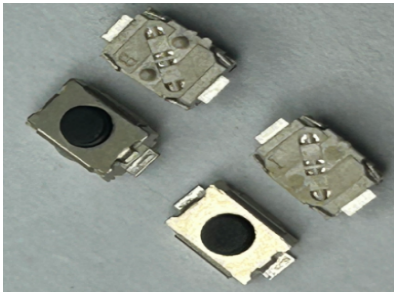


3.9×2.9mm (Surface Mount)

TS-1116S/TS-1116NS



- Series type: Sharp feeling type
- Absolute Maximum Ratings: 50mA 12V DC
- Rating (min.): 10μA 1V DC

Applications: Mobile: Notebooks, peripherals
 Energy_Industrial: Robots, drones, Industrial equipment, Converters

■ Product List

Products No.	Operating direction	Operating force (N)	Travel (mm)	Operating life (cycles)	Initial contact resistance	Dimensions (W×D×H) (mm)	Water-proof	Dust-proof	Automotive	Drawing No.
TS-1116S/NS-100	Top push	0.98	0.15	200,000	500mΩ max.	3.9×2.9×2.0	—	—	—	1
TS-1116S/NS-160	Top push	1.57	0.15	200,000	100mΩ max.	3.9×2.9×2.0	—	—	—	
TS-1116S/NS-260	Top push	2.45	0.15	100,000	100mΩ max.	3.9×2.9×2.0	—	—	—	

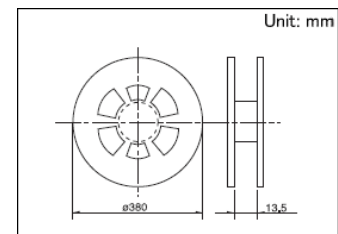
Note

1. This catalog shows only outline specifications. When using the products, please obtain formal specifications for supply.
2. Please place purchase orders for taping products per minimum order unit (1 reel or a case).

■ Packing Specifications

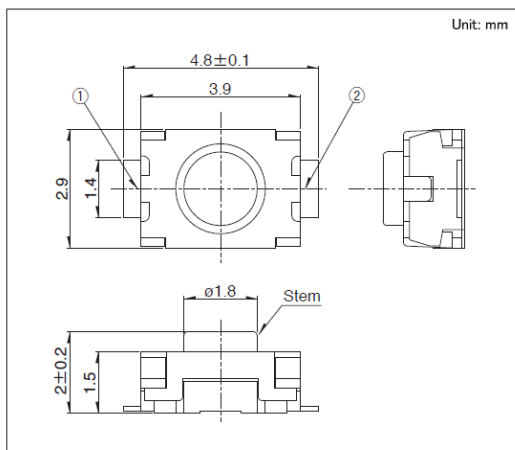
Taping

Products No.	Number of packages(pcs.)			Tape width (mm)	Export package measurements (mm)
	1 reel	1 case/box	1 case / export packing		
TS-1116S/NS-XXX	3000	15000	60000	12	360*360*360

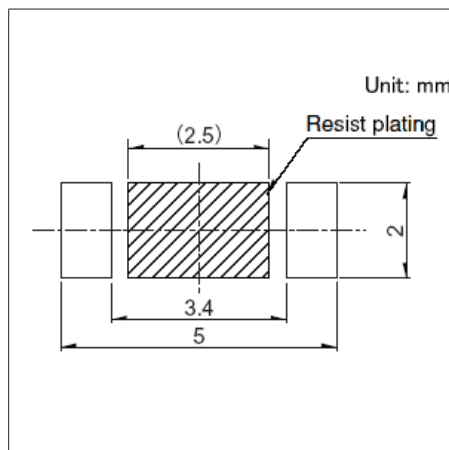


Drawing No. 1

■ Dimensions



■ Land Dimensions



Viewed from mounting face.

■ Circuit Diagram

